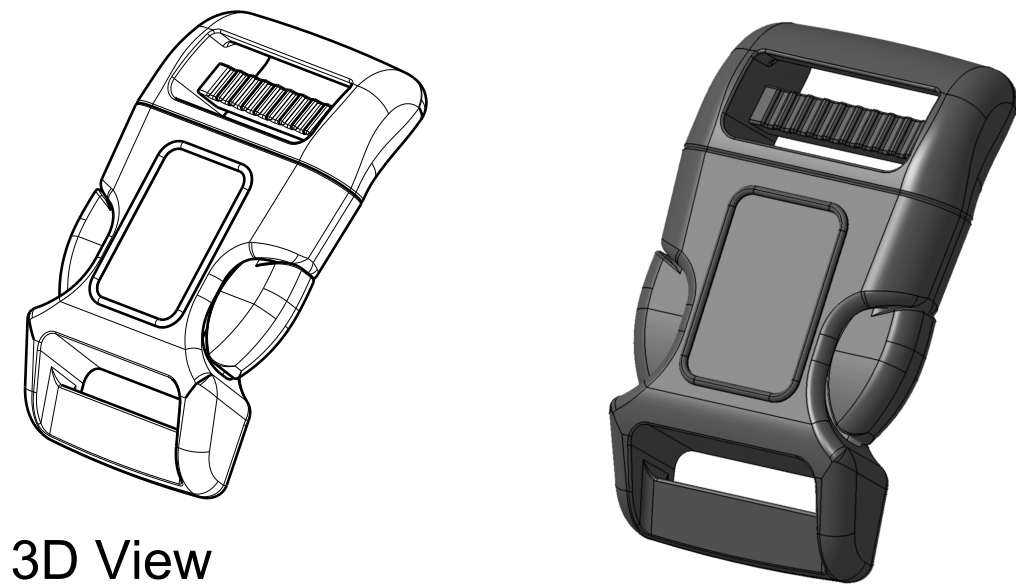
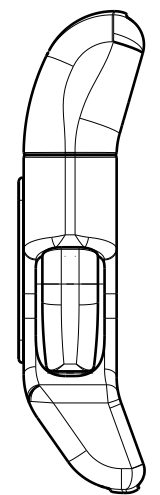


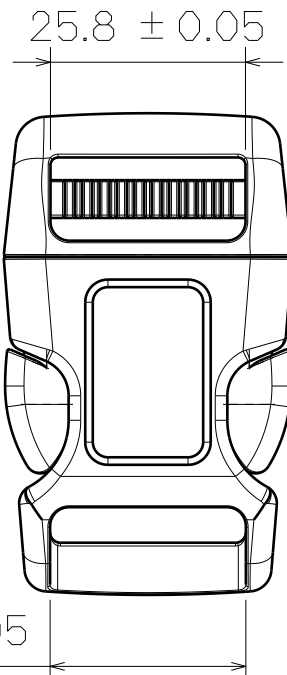
Top View



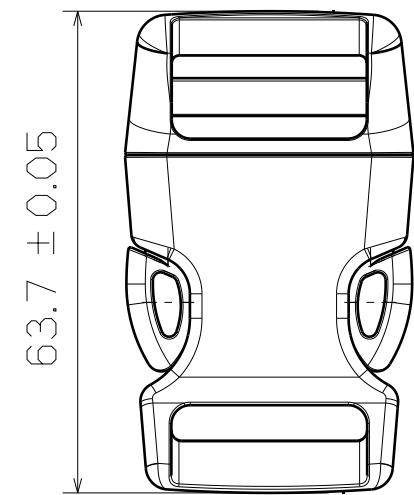
3D View



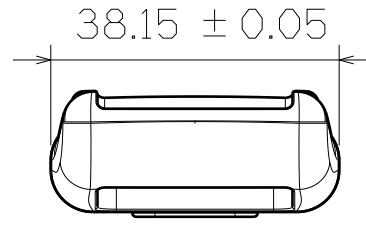
Right View




SF208-1-25mm



Back View



Bottom View

This drawing is our property. It can't be reproduced or communicated without our written agreement.		 SHIN FANG PLASTIC INDUSTRIAL CO., LTD.			
DRAWN BY DANIEL CHEN		DATE 1995/5/4		DRAWING TITLE HEAVY CONTOURED SIDE RELEASE BUCKLE	
CHECKED BY JIMMY CHEN		DATE 1995/5/8		SIZE A3	REV X
DESIGNED BY RD		DATE 1995/5		SCALE 1:1	MATERIAL POM
				SHEET 1/1	